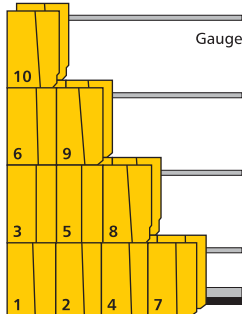


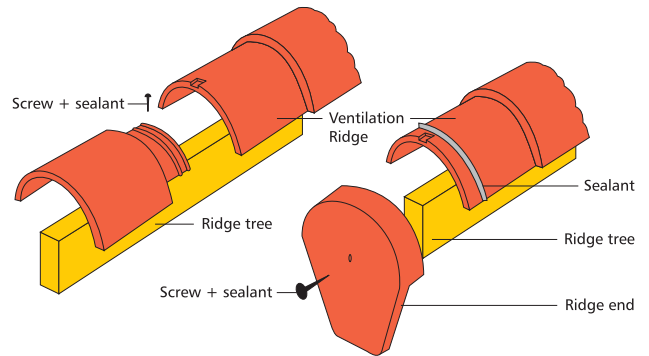
# Romane Installation Guide

## 1. TILES LAYING

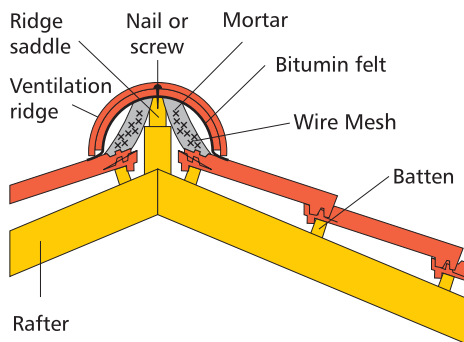


Romane tiles should be laid from the left to right [see tiles numbers beside] Batten size: width 50mm, height 25mm  
 Tiles nailing: on 45° roof pitches [or over], or under very windy conditions, the tiles should be fixed. Ask for recommendations. Use 2½ inch nails.

## 2. RIDGE END

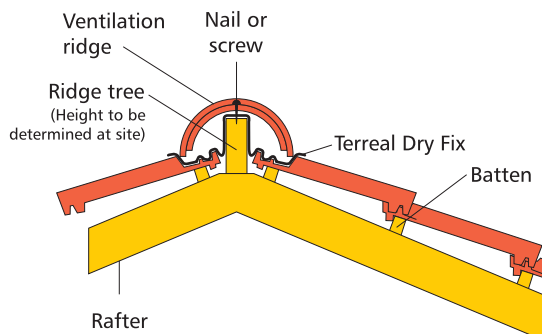


## 3. RIDGE FIXING WITH MORTAR



**Ridge end.** They are fixed on the wider part of the ridge [large diameter] to ensure perfect stability. If you happen to finish on a male end, the entire ridge will have to be shifted with a ridge tile cut in half. The ridge should therefore start with the female end of the ridge.

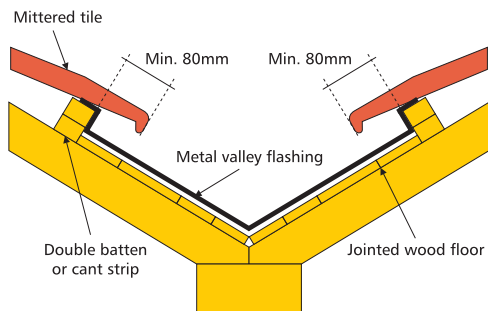
## 4. DRY RIDGE FIXING



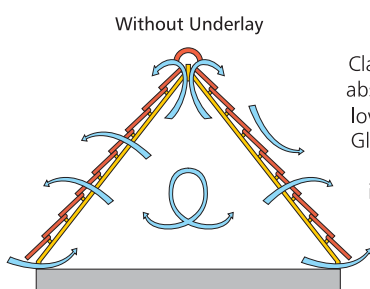
Dry ridge fixing is easy and safe with usage of Terreal Dry Fix adhesive membrane. Benefits: Fast laying-safe from cement leakage and from fungus growth on concrete seals.

## \* 5. LAYING VALLEYS

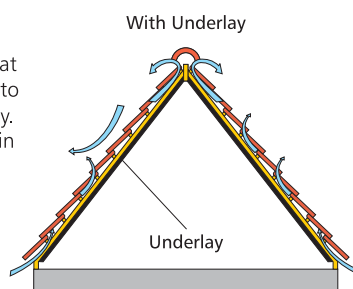
The Valley must be wide enough to allow the cleaning and removal of debris



## 6. VENTILATION



Clay reduces heat absorption due to low conductivity. Glazed and Satin Finishes will increase heat reflection.



Romane profiles will provide natural ventilation with our large hump allowing better air circulation. In addition, clay, being a poor conductor of heat, will reduce interior temperature by 2-3°C\* as compared to a roof using concrete tiles.

\*Underlay is recommended to reduce the wind loading at attic area.

\*Source: CRED research centre in France